

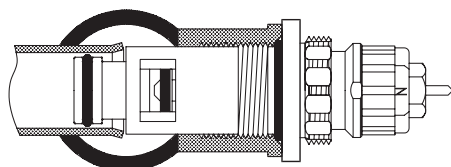
## Data Sheet

# Integrated Presetting Valves

## - type 013G0372 for normal volume flows

## - type 013G0373 for small volume flows

### Application



DANFOSS  
A1362231.10

The gland seal of the valve can be replaced while the system is in operation.

To avoid calcification and corrosion, it is important for the composition of the circulating water to comply with the VDI 2035 guidelines.

Integrated valves, type RA-N (013G0372) and RAU (013G0373), with built-in presetting are designed for incorporation into valve radiators from different radiator manufacturers.

Danfoss thermostatic sensors types RA 2000 and RAW with patented snap socket as well as Danfoss thermo-hydraulic actuators can be installed directly onto the integrated valve.

The two valve types can be recognised by the colour of the pre-setting ring:

- Red: RA-N
- Yellow: RA-U

### Approved to EN 215



Integrated presetting valves type RA-N 013G0372 and type RA-U 013G0373 are manufactured to the highest standards, and are approved to the European standard EN 215.

Integrated valves can be used in single and two pipe installations with circulating pump.

### Ordering and Technical Data

Con- nection thread	Pre-setting									Max. water temp. °C	Diff. press. <sup>3)</sup>		Test press. bar	Work press. bar	Code no.
	k <sub>v</sub> -value <sup>1) 2)</sup>										Rec. bar	Tech. bar			
	1	2	3	4	5	6	7	N	N						
G½A	0.14	0.21	0.26	0.32	0.46	0.59	0.73	0.87	1.05	120	0.05- 0.2	0.6	16	10	013G0372
G½A	0.04	0.05	0.07	0.09	0.13	0.18	0.24	0.34	0.55						013G0373

<sup>1)</sup> k<sub>v</sub>-values indicate the flow volume (Q) in m<sup>3</sup>/h at a pressure loss (Δp) across the valve of 1 bar.  $K_v = Q : \sqrt{\Delta p}$ . At setting N, the k<sub>v</sub>-value in accordance with EN 215 can be stated as X<sub>p</sub> = 2 K. At lower preset values, X<sub>p</sub> will be reduced until approximately X<sub>p</sub> 0.5 at presetting 1. The table shows the average measured values for integrated valves with radiator. The k<sub>vS</sub>-values indicate the valve capacity, when the valve is fully open.

<sup>2)</sup> When using a liquid filled radiator thermostat e.g. RAW, RAS-D or remote setting element type RA5060 X<sub>p</sub> will be increased by factor 1.6 (at setting "N", ref. EN 215).

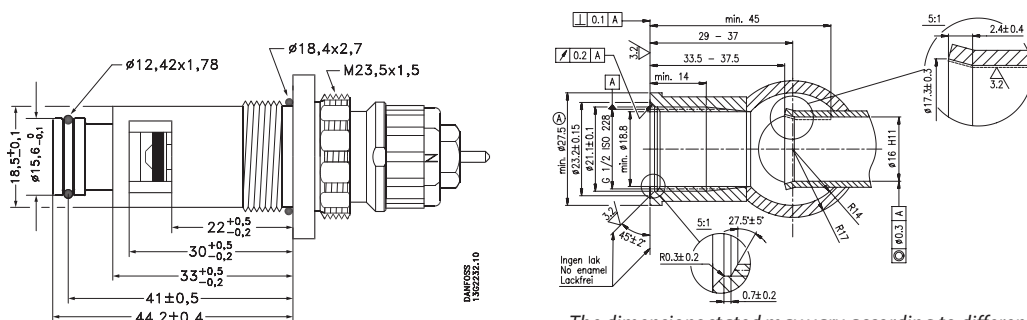
<sup>3)</sup> The technical differential pressure indicates the upper limit for a proper valve function. In most two-pipe systems the recommended differential pressure is sufficient. In order to achieve a noiseless function we recommend in smaller systems to apply automatic bypass valves or automatic balancing valves. If pump differential pressure exceeds the recommended max. valve differential pressure it is recommended that an automatic balancing valve type ASV-P/PV is added to the system.

### Spare Parts and Accessories

Product	Code no.
Gland seal*, 10 pcs.	013G0290
Red protection cap for RA-N valve 013G0372	013G0951
Yellow protection cap for RA-U valve 013G0373	013G0952
Small O-ring	633B1427
Big O-ring	633B0387

\* The gland seal of the valve can be replaced under pressure, i.e. while the installation is in operation.

Design and Dimensions

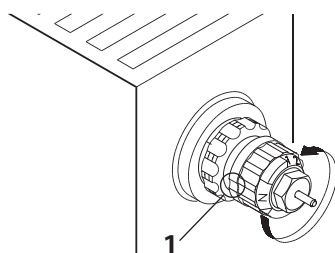


The dimensions stated may vary according to different radiator manufacturers (013M5058 E0002 001 047 97.03.25)

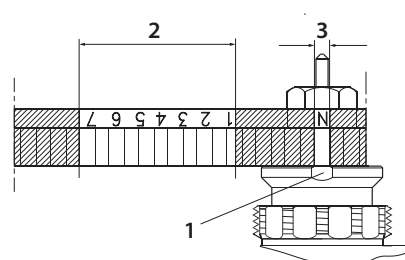
Materials

Part	013G0372	013G0373
Valve housing	Ms 58	Ms 58
Valve seat	PPS	Ms 58
Throttle nozzle	PPS	PPS
Setting dial	Plastic	Plastic
O-rings	NBR / EPDM	NBR / EPDM
Valve spindle	PPS	Ms 58
Valve cone	NBR	NBR
Pressure pin and valve spring	Chrome steel	Chrome steel

Pre-setting



1. Reference mark.



2. Presetting range.  
3. Factory setting and one-pipe system.

The presetting values of the integrated valves can be adjusted easily and accurately without the use of tools (factory setting: 'N'):

- Remove the protective cap or the thermostatic sensor.
- Find the reference mark.
- Turn the setting ring until the desired presetting aligns with the reference mark.

The presetting is controlled directly without use of equipment. After installation in the radiator, the reference mark of the valves will not always be positioned in the same place. Presetting can be selected infinitely variably within the range of 1 to 7. At setting 'N' the valve

is fully open. Setting in the shaded areas of the drawing should be avoided.

In a one-pipe installation, the setting 'N' must be used.

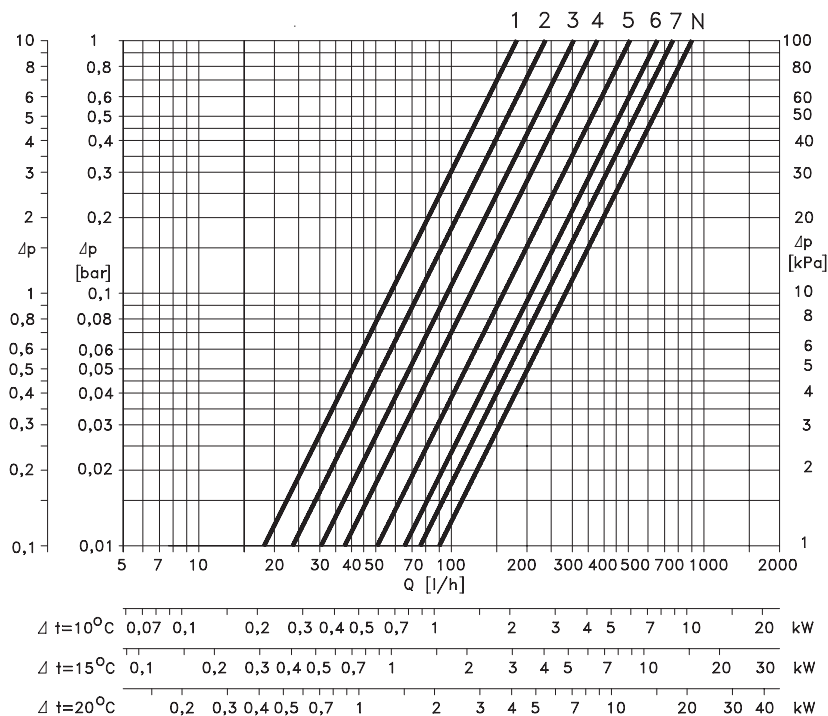
Setting 'N' can be used as a flushing position if the system has to be flushed out because of dirt problems.

When the radiator thermostat has been installed, the presetting is protected against unintended regulation.

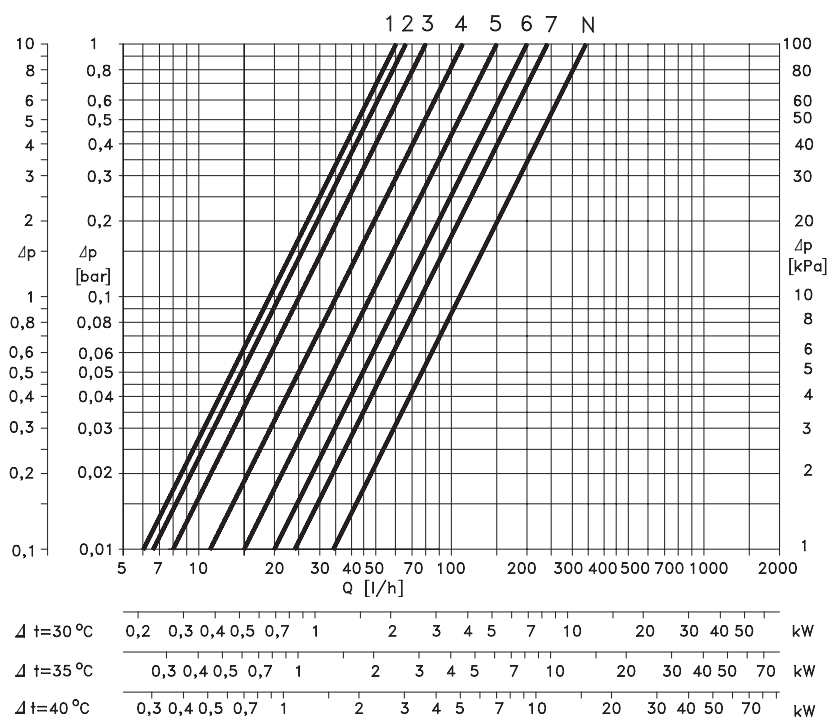
For Danfoss elements RA 2000 and RAW, a theft protection device is available; this also provides added security against unwanted adjustment of the preset values.

Capacities without Radiator and Fittings

RA-N 013G0372



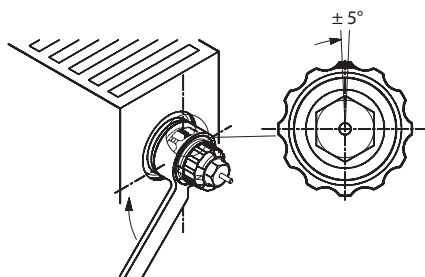
RA-U 013G0373



Capacities at  $X_p = 2\text{K}$  with Danfoss radiator thermostat RA 2000 are measured without radiator and connection fittings.

**Mounting Instructions**

**Installation of an integrated valve at radiator manufacturer's plant**

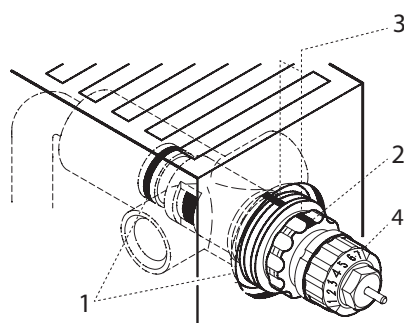


An integrated valve can only be fitted once in a radiator (because of the load on the deformation zone).

- Fit the integrated valve in the radiator using a 12-edge spanner, KW 21.
- Tighten using a torque of 30-35 Nm.
- If required, continue turning until one of the cap thread beads points upwards (only clockwise).

Tolerance for adjustment:  $\pm 5^\circ$ .

**Removal and fitting in an existing radiator**

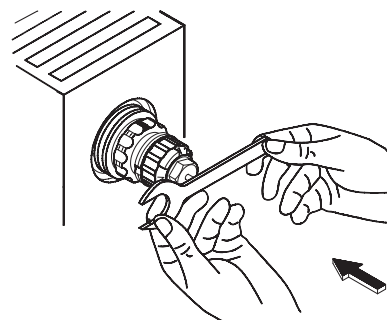
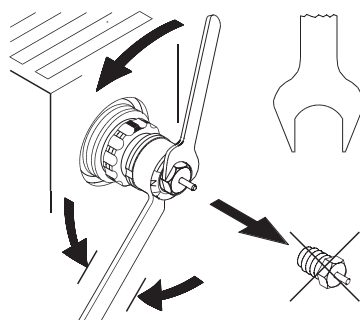


1. Two O-rings.
2. Reference mark.
  - Before removal: Notice the presetting value.
  - Please mark off the valve position on the valve and the radiator, e.g. on top (3).
3. Remove valve.
4. Fitting: Insert the integrated valve, tighten until the marked-off position has been reached.

Setting ring with presetting numbers (4):

- Red: RA-N
- Yellow: RA-U

**Replacing the gland seal**



While the system is in operation, the gland seal can be replaced by means of a spanner, KW 10. Hold the setting ring using a 12-edge ring-spanner, KW 17.