

Data Sheet

Thermostatic Sensor RAS-CK

Application



RAS-CK is a self-actuating proportional controller with a small P-band, designed for use in 2-pipe domestic heating systems, covering all central and district heating systems.

RAS-CK is specially designed for non Danfos valves and has a M30 x 1.5 connection.

RAS-CK is mounted onto the valve body with a M32 spanner.

RAS-CK incorporates a frost protection setting.

The RAS-CK design is particularly robust, with both end-stop strength limits and sensor bending force limits being substantially above the requirements of the European Standard EN 215.

Ordering and specifications

Type	Sensor	Colour	Features	Setting range ¹⁾	Code no.
RAS-CK 5025	Built-in	Black/White	With M30 x 1.5 connection, temperature limitation	8 - 28° C	013G5025

¹⁾ Temperatures stated for $X_p = 2K$, i.e. the valve is closed at 2° C higher room temperature.

Accessories

Product	Code no.
Anti-theft protection ring for RAS-CK, black	013G5326
Anti-theft protection ring for RAS-CK, white	013G5389

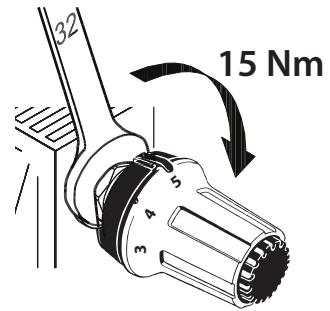
Theft protection

The anti-theft protection ring protects the RAS-CK sensor from unintended dismounting. The two half-rings are clamped together around the union nut of the sensor. Removing the anti-theft protection ring will cause it to be destroyed.



Mounting

The RAS-CK sensor is mounted onto the valve with a M32 spanner.



Setting the temperature

* = Frost protection setting

	10	14	18	22	26	30 °C
0	*	1	2	3	4	5
	8	12	16	20	24	28 °C

The required room temperature is set by turning the setting dial. The temperature scales show the correlation between scale values and room temperature. The temperature values stated are for guidance only as the obtained room temperature will often be influenced by installation conditions.

The temperature scales are stated according to European standards at $X_p = 2^\circ\text{C}$. This means that the radiator thermostats close at a sensor temperature which is 2°C higher than stated on the temperature scales. RAS-CK has no 0-setting.

Dimensions

