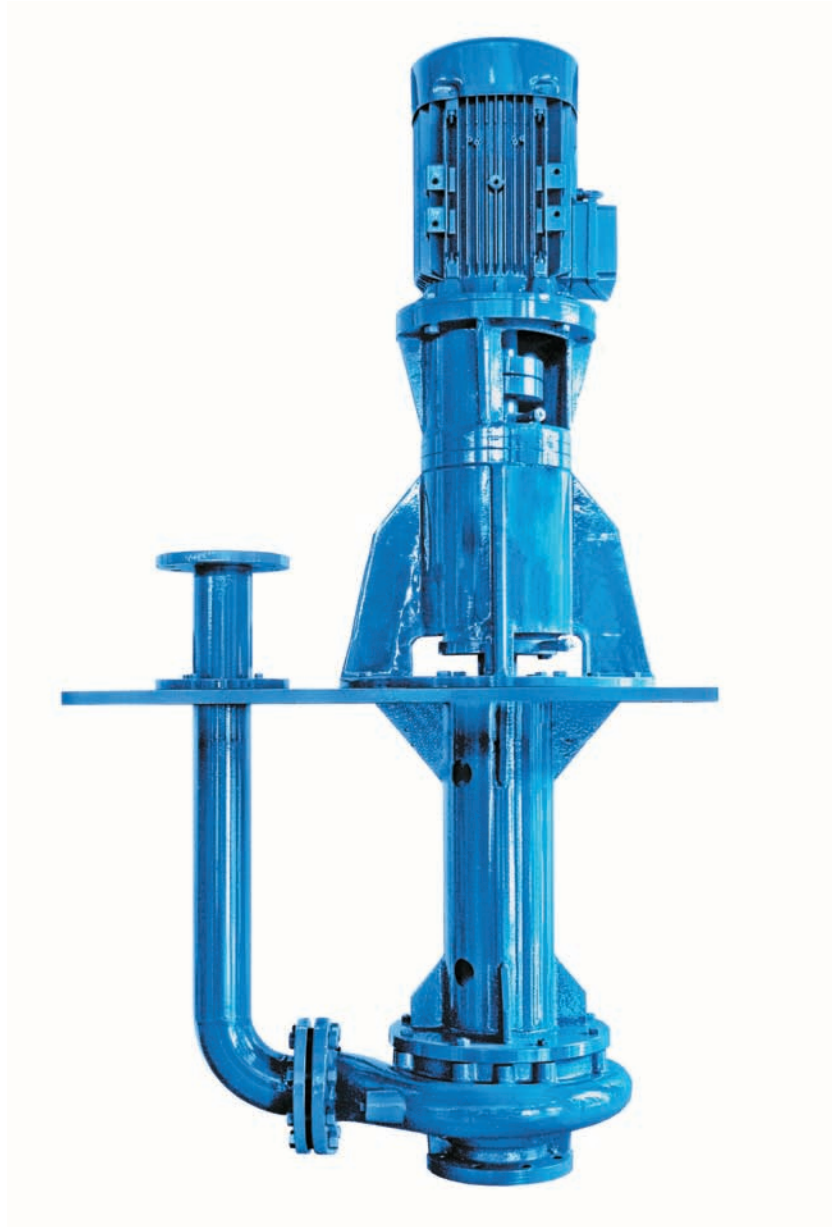


SNV-B

Vertical Sump Pumps



Technical Data

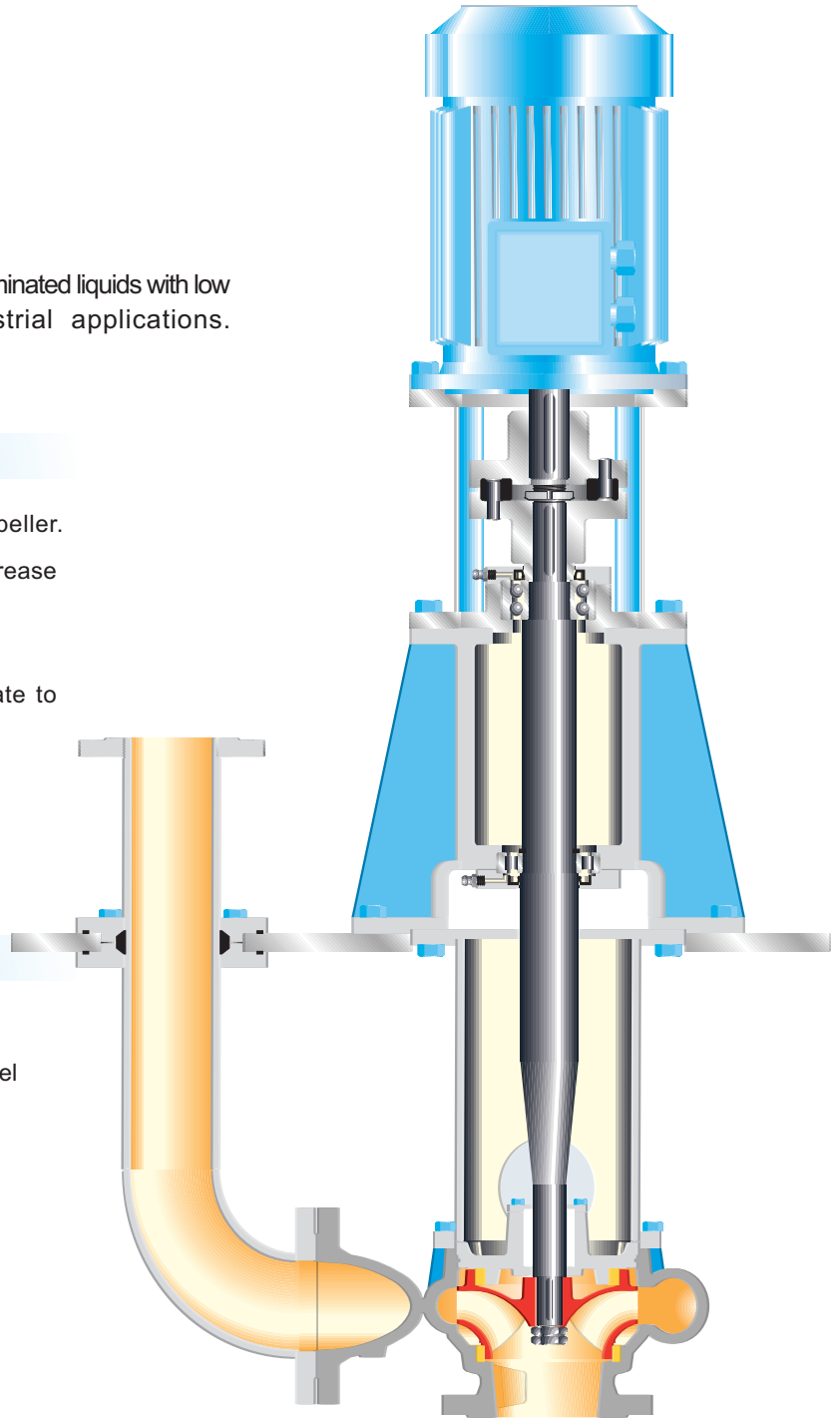
- Capacity** _____ up to 200 m³/h
- Head** _____ up to 35 m
- Speed** _____ 1450 rpm
- Discharge Nozzle** _____ up to DN 200 (PN 16)
- Temperature** _____ up to 95 °C
- Handled liquids** _____ Clean or slightly contaminated liquids with low viscosity for industrial applications.

Design Feature

- Vertical end suction pump with closed impeller.
- No bearings in the liquid. All bearing with grease lubricated are above the liquid level.
- Depths up to 1.3 m as standard.
- Discharge pipe extends above support plate to give easy access for piping.

Materials

- Impeller and casing : cast iron
- Shaft : stainless steel
- Column pipe : steel
- The pumps can also be delivered in stainless steel throughout upon request to STANDART PUMP.



www.standartpompa.com / e-mail: info@standartpompa.com.tr

Merkez	Mağaza	Ankara Bölge Müdürlüğü	Antalya Bölge Müdürlüğü
İdos Organize Sanayi Bölgesi 2.Cad No:9 34775 2 no'lu Park Karşısı Yukarı Dudullu İstanbul - TÜRKİYE Pbx: +90 216 466 89 00 Fax: +90 216 415 88 60	Necati Bey Caddesi No:81 Karaköy İstanbul - TÜRKİYE Tel: +90 212 249 49 11 Fax: +90 212 245 01 58/59	Bağcılar Mahallesi 4. Sokak Yalı Apt. 3/3 Gaziosmanpaşa Ankara - TÜRKİYE Tel: +90 312 447 24 42 Fax: +90 312 447 64 38	Etiler Mah. Adnan Menderes Bulvarı No:47 Kat:2 D:14 Antalya - TÜRKİYE Tel: +90 242 312 72 79 Fax: +90 242 312 72 65